

GORDON

AUTOMOTIVE SPARE PARTS DISTRIBUTION



DIAGNOSTIC TESTERS

AUTEL[®]
POLAND

MaxiSYS

MaxiSys 909



MaxiSys 919



MaxiSys ULTRA



Communication	Wireless (VCI J2534, RP1210, DoIP, CAN FD)	Wireless (VCMII J2534, RP1210, DoIP, CAN FD)	Wireless (VCMII J2534, RP1210, DoIP, CAN FD)
Screen	9.7" 2048x1536 IPS	9.7" 2048x1536 IPS	12.9" 2732x2048 IPS
Hardware	8-core Exynos (2.3GHz quad-core + 1.7 GHz quad-core), 4 GB RAM, 128GB SSD	8-core Exynos (2.3GHz quad-core + 1.7 GHz quad-core), 4 GB RAM, 128GB SSD	8-core Exynos (2.3GHz quad-core + 1.7 GHz quad-core), 4 GB RAM, 256GB SSD
Equipment	16MP camera, WIFI, SD slot, HDMI, USB	16MP camera, WIFI, SD slot, HDMI, USB	16MP camera, WIFI, SD slot, HDMI, USB
TPMS	-----	-----	-----
Diagnostic and service functions	Advanced mode	Advanced mode	Advanced mode
Update	1 year	1 year	1 year
ADAS package, IA800, IA900 WA (option)	✓	✓	✓
Cooperation with accessories	Oscilloscope, tester batteries, endoscope	Oscilloscope, tester batteries, endoscope	Oscilloscope, tester batteries, endoscope
SGW Package: FCA, Renault (option)	✓	✓	✓
HaynesPro Support (Option)	Electronic package, technical, SMART	Electronic package, technical, SMART	Electronic package, technical, SMART
Pass-thru programming	✓	✓	✓
Docking station	-----	-----	✓
Repair guides, guided functions	✓	✓	✓
Split screen	-----	-----	✓



GORDON

AUTOMOTIVE SPARE PARTS DISTRIBUTION

MaxiSys 906S



MaxiSys 906 PRO



MaxiSys 906 PRO TS



Communication	Wireless (VCI mini)	Wireless (VCI 200)	Wireless (VCI 200)
Screen	8.0" 1024x768 IPS	8.0" 1920x1200 IPS	8.0" 1920x1200 IPS
Hardware	Samsung 6-core ye (1 GHz quad-core + 1.7 GHz dual-core), 2 GB RAM, 64 GB SSD	8-core Exynos (2.3GHz quad-core + 1.7 GHz quad-core), 4 GB RAM, 128GB SSD	8-core Exynos (2.3GHz quad-core + 1.7 GHz quad-core), 4 GB RAM, 128GB SSD
Equipment	16MP camera, WIFI, SD slot, HDMI, USB	16MP camera, WIFI, SD slot, HDMI, USB	16MP camera, WIFI, SD slot, HDMI, USB
TPMS	-----	-----	✓
Diagnostic and service functions	Basic scope (no online function)	Advanced mode	Advanced mode
Update	1 year	1 year	1 year
ADAS package (option)	-----	✓	✓
Cooperation with accessories	-----	Oscilloscope, tester batteries, endoscope	Oscilloscope, tester batteries, endoscope
SGW Package: FCA, Renault (option)	✓	✓	✓
HaynesPro Support (Option)	Basic technical package	Electronic package, technical, SMART	Pakiet elektroniczny, techniczny, SMART

- **AUTEL MaxiSys MS 906 PRO series of testers** is the direct successor to the excellent MaxiSys MS 906 diagnostic devices.
- The latest series is based on the new operating system **Android 7** and has **much better hardware parameters, which translates into the speed of the device.**
- **The software evolution based on factory service procedures has been supplemented with the possibility of coding BMW E, F and Porsche series.**
- MaxiSys 906 PRO enables the connection of the latest AUTELA satellite devices, including battery testers and the most innovative ADAS systems on the market (except for the MS906S model).

MaxiDas

MaxiDas DS 808 KIT

MaxiDas DS 808 BT KIT

MaxiDas DS 808 TS



Communication	Wireless MiniVCI	Wireless MiniVCI	Wireless MiniVCI
Screen	7" 1024x600 IPS	7" 1024x600 IPS	7" 1024x600 IPS
Hardware	Cortex-A9 CPU(1.5GHz), 2 GB RAM, 32 GB SSD	Cortex-A9 CPU(1.5GHz), 2 GB RAM, 32 GB SSD	Cortex-A9 CPU(1.5GHz), 2 GB RAM, 32 GB SSD
Equipment	WIFI, SD slot, USB	WIFI, SD slot, USB	WIFI, SD slot, USB
TPMS	-----	-----	✓
Diagnostic and service functions	Basic scope (no online function)	Basic scope (no online function)	Basic scope (no online function)
Update	1 year	1 year	1 year
ADAS package, IA800, IA900 WA (option)	-----	-----	-----
Cooperation with accessories	-----	-----	-----
SGW Package: FCA, Renault (option)	✓	✓	✓
HaynesPro Support (Option)	Basic technical package	Basic technical package	Basic technical package

Equipment MaxiDas DS808 KIT and DS808 BT KIT:

- GM/Daewoo -12 • Audi -2+2 • BMW -20
- Mercedes Benz -38 • Ki -20
- Mitsubishi/Hyundai -12+16 • Nissan -14
- Honda -3 • Sprinter -14



GORDON

AUTOMOTIVE SPARE PARTS DISTRIBUTION

MaxiCheck 808

MaxiCheck 808 TS



Communication	Wired	Wireless MiniVCI
Screen	7" 1024x600 IPS	7" 1024x600 IPS
Hardware	Cortex-A9 CPU(1.5GHz),2 GB RAM, 64 GB SSD	Cortex-A9 CPU(1.5GHz),2 GB RAM, 64 GB SSD
Equipment	WIFI, SD slot, USB	WIFI, SD slot, USB
TPMS	-----	-----
Diagnostic and service functions	Basic scope (no online function)	Basic scope (no online function)
Update	1 year	1 year
ADAS package, IA800, IA900 WA (option)	-----	-----
Cooperation with accessories	-----	-----
SGW Package: FCA, Renault (option)	✓	✓
HaynesPro Support (Option)	Basic technical package	Basic technical package

OTHER DEVICES



Thermal imaging camera
AUTEL MaxiIRT IR100



Videoscope camera
inspection tool AUTEL
MaxiVideo MV480



Autel circuit tester
PowerScan PS-100



Inspection camera
cars AUTEL
MaxiVideo MV105



MaxiScope MP408 is
4-channel oscilloscope
automotive



Battery tester
AUTEL MaxiBas printer
BT608



Battery tester
in the form of an add-on

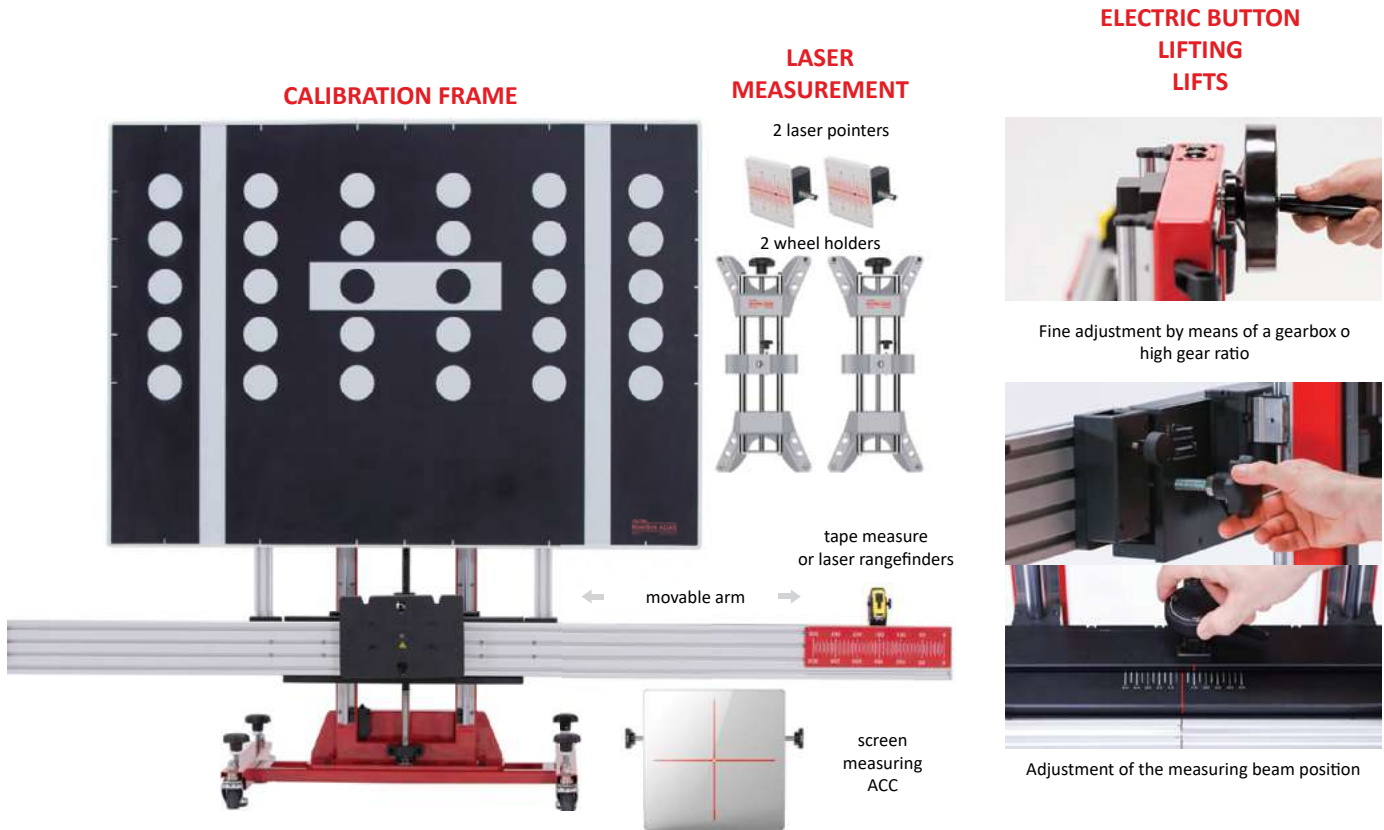


Driver tester
MD808PRO

ADAS Calibration

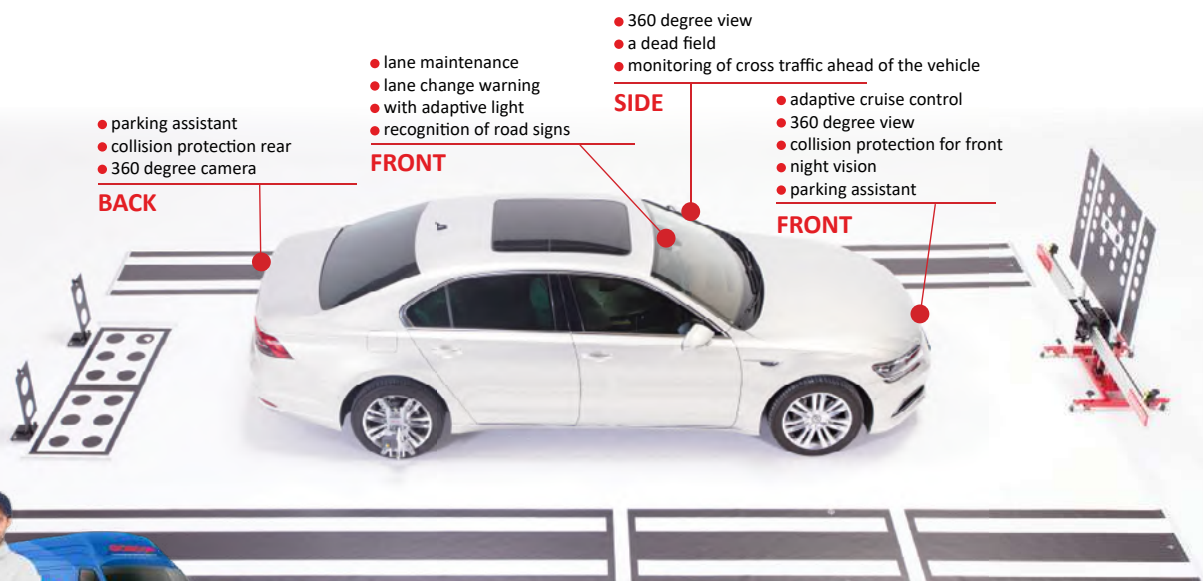
Advanced calibration system

- The applied solutions ensure the highest measurement accuracy while maintaining ease of use and the maximum reduction of calibration time.



Comprehensive calibration

Already dismantling the bumper or replacing the windshield makes it necessary to calibrate cameras and radars.

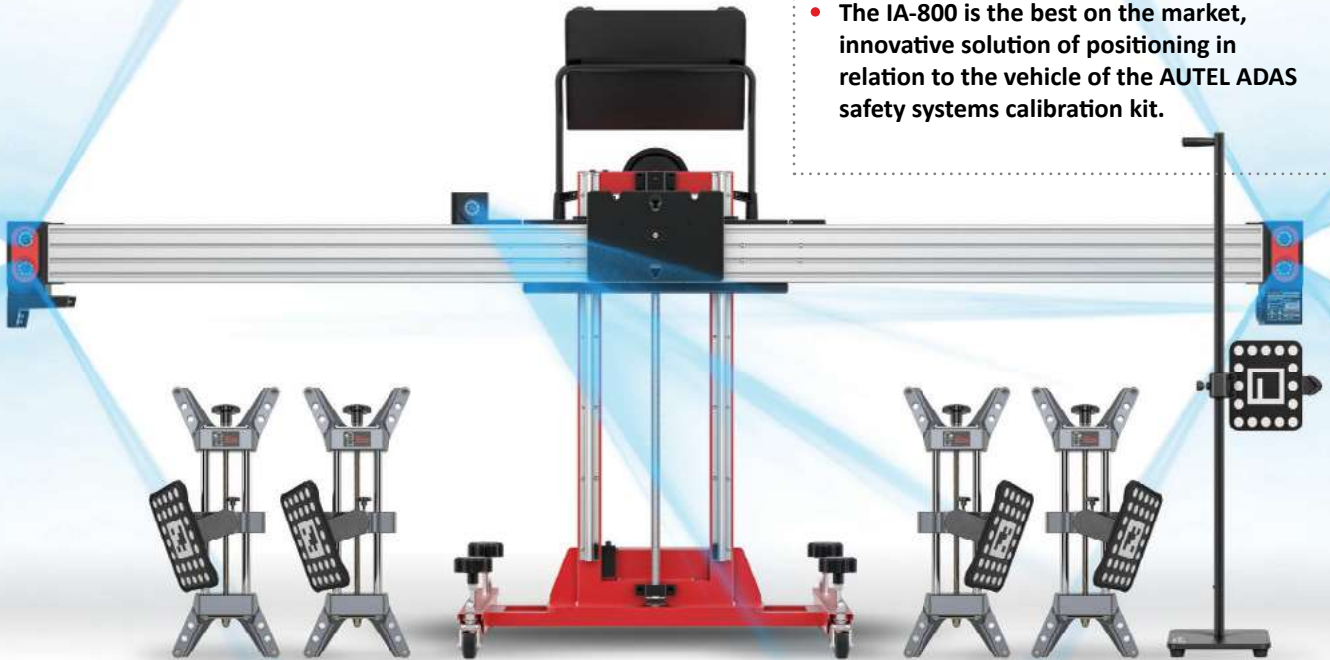


GORDON

AUTOMOTIVE SPARE PARTS DISTRIBUTION

A-800 Another step into the future of ADAS systems

- The IA-800 is the best on the market, innovative solution of positioning in relation to the vehicle of the AUTEL ADAS safety systems calibration kit.



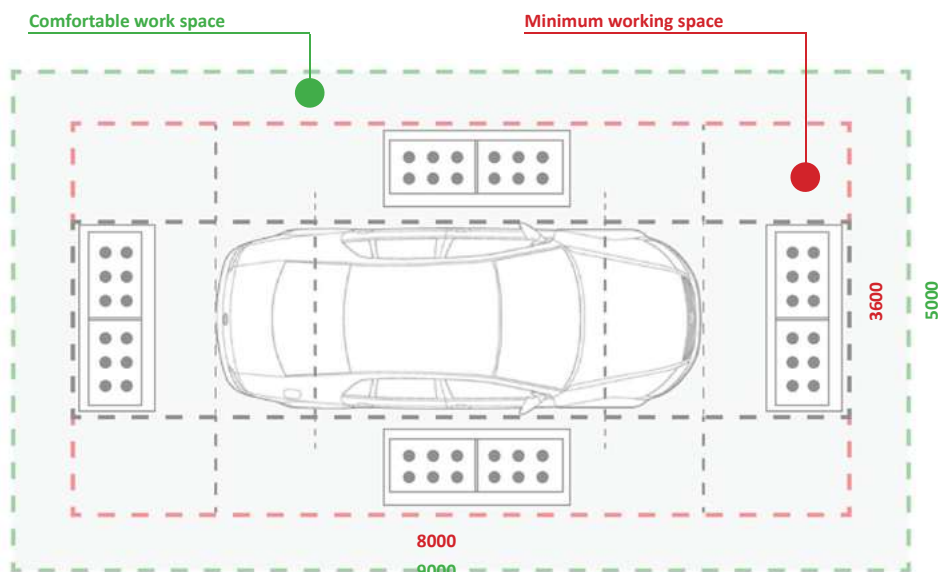
- Its basic feature is fast and extremely precise measurement of the basic parameters of the vehicle wheel alignment using 3D technology, i.e. wide-angle high-resolution cameras and passive screens mounted on the vehicle wheels.
- Thanks to this innovative method, the system automatically measures all angles and distances necessary for the correct calibration of radars and cameras. The entire positioning process is supported by illustrated instructions displayed on a diagnostic tester that communicates wirelessly with the vehicle.

IA-800 works with AUTEL MaxiSys series testers: MS 909, MS 919, MS ULTRA

The final effect of the use of this system is an extensive report containing information about the setting of convergence and angles of vehicle wheels, precise calibration of ADAS systems and diagnostics of vehicle electronics (errors, operating parameters and many others).

Required working conditions

- The work surface should be flat
- When calibrating, the work area should not have other objects.
- Avoid intense sunlight or lighting
- The walls in the room should not be covered with geometric patterns



GORDON

AUTOMOTIVE SPARE PARTS DISTRIBUTION

IM508, IM608 TESTERS



IM508

A fast, easy-to-use and compact set for programming keys and immobilizers. The Android touch screen tablet has a powerful quad-core processor, innovative design and simple interface. Equipped with the XP200 key programmer, the IM508 is capable of providing advanced functions for handling immobilizer systems.

IM608

An advanced and unique tool for programming and diagnostics of immobilizers and keys. Set of programmer and universal diagnostic tester on MS908 S model level in one 10" touch tablet with Android system. Equipped with XP400 key programmer and MaxiFlash ECU programmer to ensure full coverage of IMMO functions and key programming. IM608 provides advanced service functions for quick module diagnosis for most makes and models of vehicles on the market.

ACCESSORIES FOR IMMO TOOLS

Adapter for programming Mercedes-Benz and BMW keys

Autel G-BOX2 is compatible with the tablet adapter (XP400) and IM608 used to speed up the programming of Mercedes DAS3 CAN EIS / EXS keys and the procedure of losing all the keys. The G-Box2 also supports DME / DDE ISN reading save in Boot Mode on BMW vehicles. The "on the table" method is also available. The set includes all cables, fuses and CAN bus connections.



Smart key emulator

Autel APB112 smart key programming is designed to collect information sent by the IMMO coil, it can diagnose coil / transponder damage. It has vehicle key emulation functions. Supports Toyota 4D (94 / D4, 98) key emulation and Toyota H (88 / A8, A9, 30) key emulation.



A set of adapters compatible with the XP400 Pro adapter

IMKPA is a set of adapters compatible with the XP400Pro. It includes 12 adapters for the XP400Pro which allows you to enable the Read / Write / Erase functions for Mercedes Benz ESL_W209 / W906 Data, Mercedes Benz NEC Key Learning, BMW EWS3 Key Learning and. Volkswagen / AUDI / BMW / Benz Key Unlock. Compatible with IM608 and IM508 with XP400Pro.



Advanced key programmer

XP400 Key and chip programmer, compatible with IM508 and IM608, used for reading / writing and creating car keys. XP400Pro enables infrared key programming in Mercedes vehicles and IC Chip keys in recent Hyundai and KIA models. XP400 has EEPROM-data functions on European vehicles. XP400Pro supports Data Read / Write of 3,000 Plus chip types (inc. EEPROM, ECU, MCU, IMMO ECU).

